



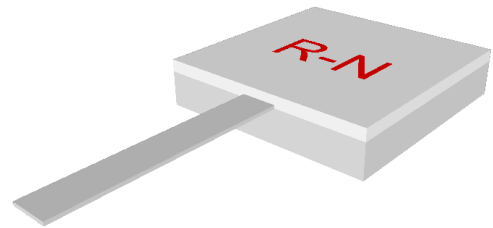
# RPC250-250-4T50-5C

DC-8GHz HIGH POWER TERMINATION

The RPC250-250-4T50-5C offers excellent performance to GHz. This high power chip termination handles 100W which makes it ideal for different applications in various commercial and military frequency bands. The RPC250-250-4T50-5C is also RoHS compliant.

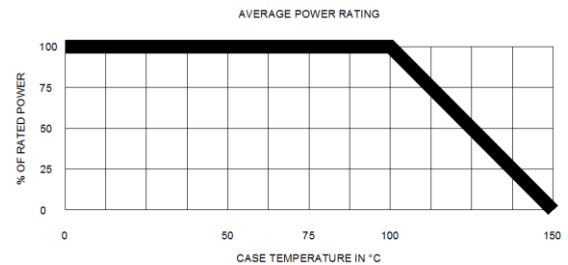
### Features:

- Low VSWR
- DC-8 GHz
- BeO Substrate
- 100 Watts
- RoHS Compliant

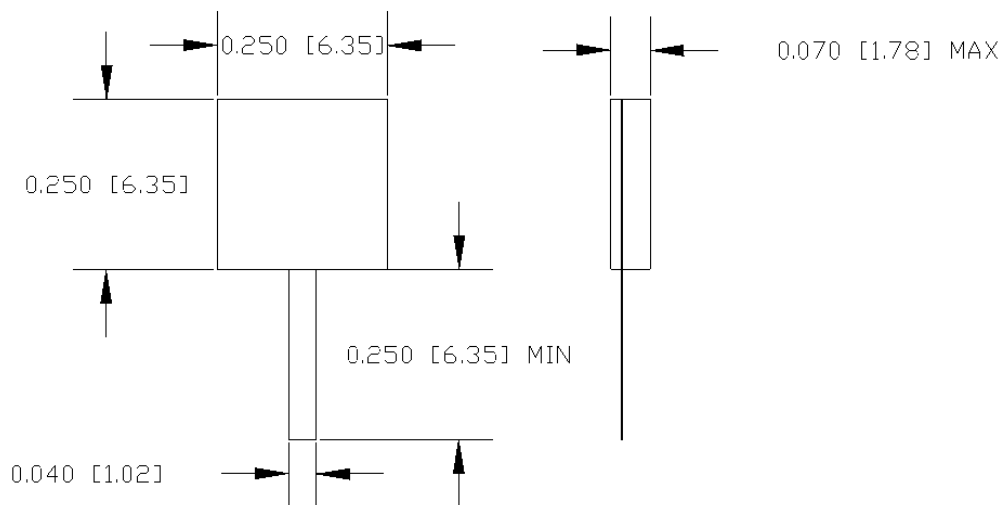


### Specifications:

- Resistance: 50 Ohms, +/-5%
- Frequency: DC – 8 GHz
- Power: 100 Watts
- VSWR 1.2:1
- Operating Temperature: -55 °C to 150 °C



### Mechanical Outline



Dimensions are in inches [mm]

P.O. BOX 18802, Clearwater, FL 33762  
1-800-526-0704



# RPC250-250-4T50-5C

DC-8GHZ HIGH POWER CHIP TERMINATION

## Typical Performance

S11 FORWARD REFLECTION

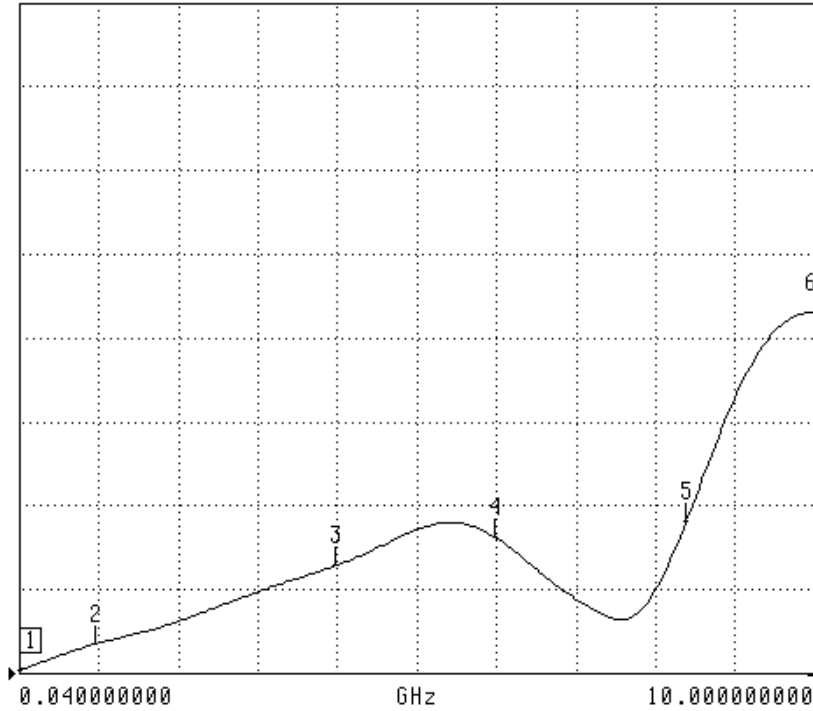
FGT

CH 3 - S11  
0.0000 mm REF  
0.000 dB OFFSET  
0.00° OFFSET

SWR

REF=1.000 U

100.000 mU/DIV



MARKER 1  
0.040000000 GHz  
1.003 U

MARKER TO MAX  
MARKER TO MIN

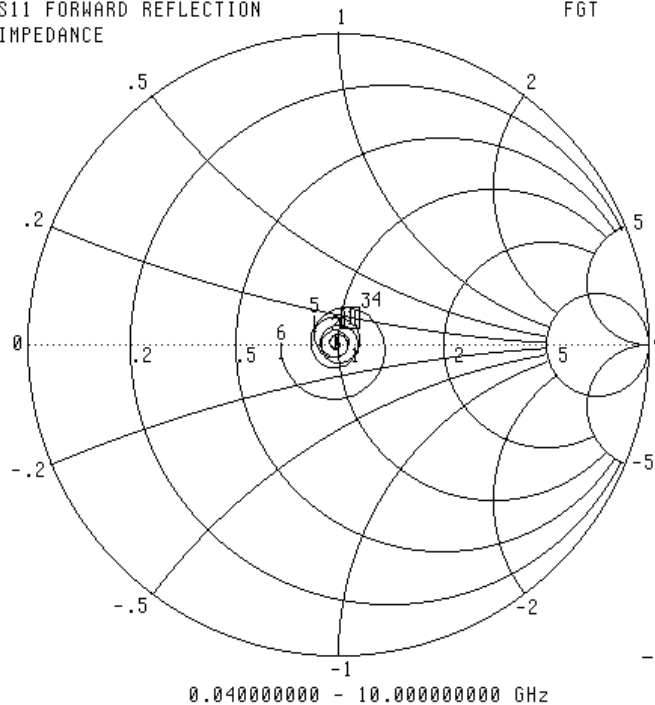
- 2 1.000000000 GHz  
1.035 U
- 3 4.000000000 GHz  
1.128 U
- 4 6.000000000 GHz  
1.163 U
- 5 8.400000000 GHz  
1.181 U
- 6 10.000000000 GHz  
1.431 U

MARKER READOUT  
FUNCTIONS

S11 FORWARD REFLECTION  
IMPEDANCE

FGT

CH 4 - S11  
0.0000 mm REF  
0.000 dB OFFSET  
0.00° OFFSET



MARKER 1  
0.040000000 GHz  
50.143 Ω  
64.091 jΩ

MARKER TO MAX  
MARKER TO MIN

- 2 1.000000000 GHz  
49.696 Ω  
-1.702 jΩ
- 3 4.000000000 GHz  
52.343 Ω  
5.755 jΩ
- 4 6.000000000 GHz  
55.677 Ω  
6.249 jΩ
- 5 8.400000000 GHz  
43.238 Ω  
3.469 jΩ
- 6 10.000000000 GHz  
34.628 Ω  
-3.337 jΩ

MARKER READOUT  
FUNCTIONS

P.O. BOX 18802, Clearwater, FL 33762

1-800-526-0704

RES-NET MICROWAVE

# Digitally Controlled Variable Gain

# Desktop Amplifiers

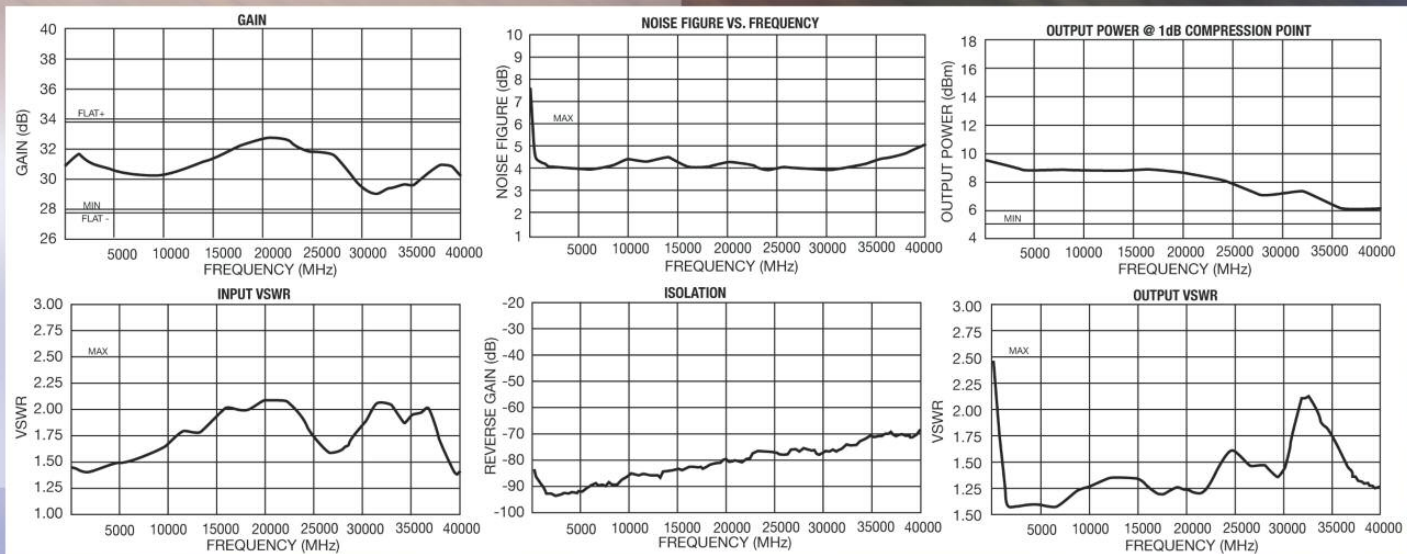


## Features:

- Frequency range of 0.1 to 40 GHz
- Front panel digitally controlled
- 15 dB of gain control in 1 dB step
- 100V to 240 Volt AC operation
- CE approved

## Available Options:

- Various frequency bands, noise figures, and output power
- Digital attenuator



For additional information or technical support, please contact our Sales Department at (631) 439-9220 or e-mail [components@miteq.com](mailto:components@miteq.com)



100 Davids Drive, Hauppauge, NY 11788  
(631) 436-7400 FAX: (631) 436-7430

[www.miteq.com](http://www.miteq.com)



### SPECIFICATIONS

<b>FREQUENCY RANGE</b>	6-40 GHz
<b>MAXIMUM VSWR</b>	1.90
<b>INSERTION LOSS</b>	< 1.9 dB
<b>ISOLATION</b>	14.5 dB
<b>AMPLITUDE TRACKING</b>	± 0.38 dB
<b>PHASE TRACKING</b>	± 6.5°
<b>WEIGHT (ounces)</b>	1.1
<b>STANDARD CONNECTORS</b>	
6060400	2.4 mm Female
6060400K	2.92 mm Female

### DIMENSIONS

